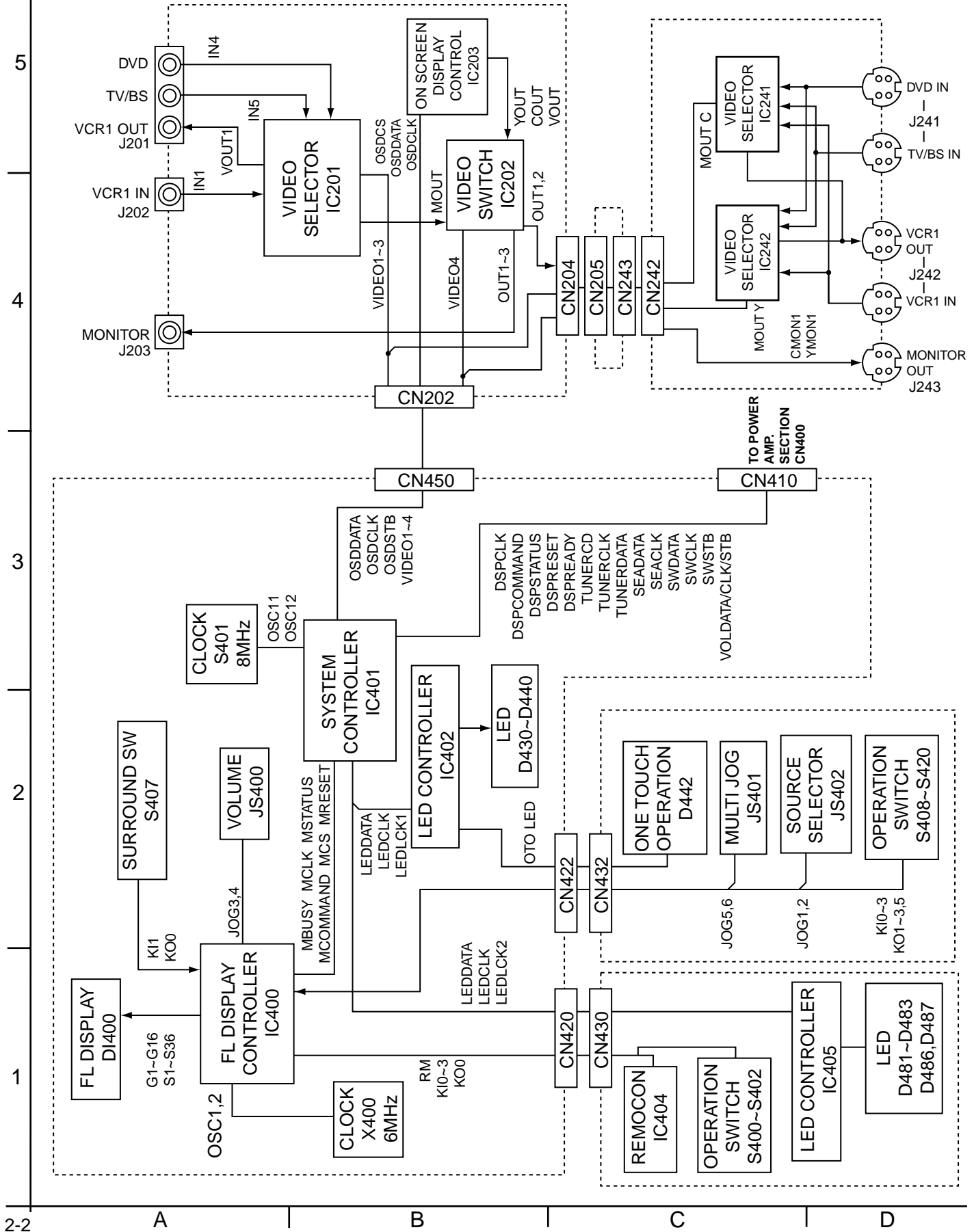
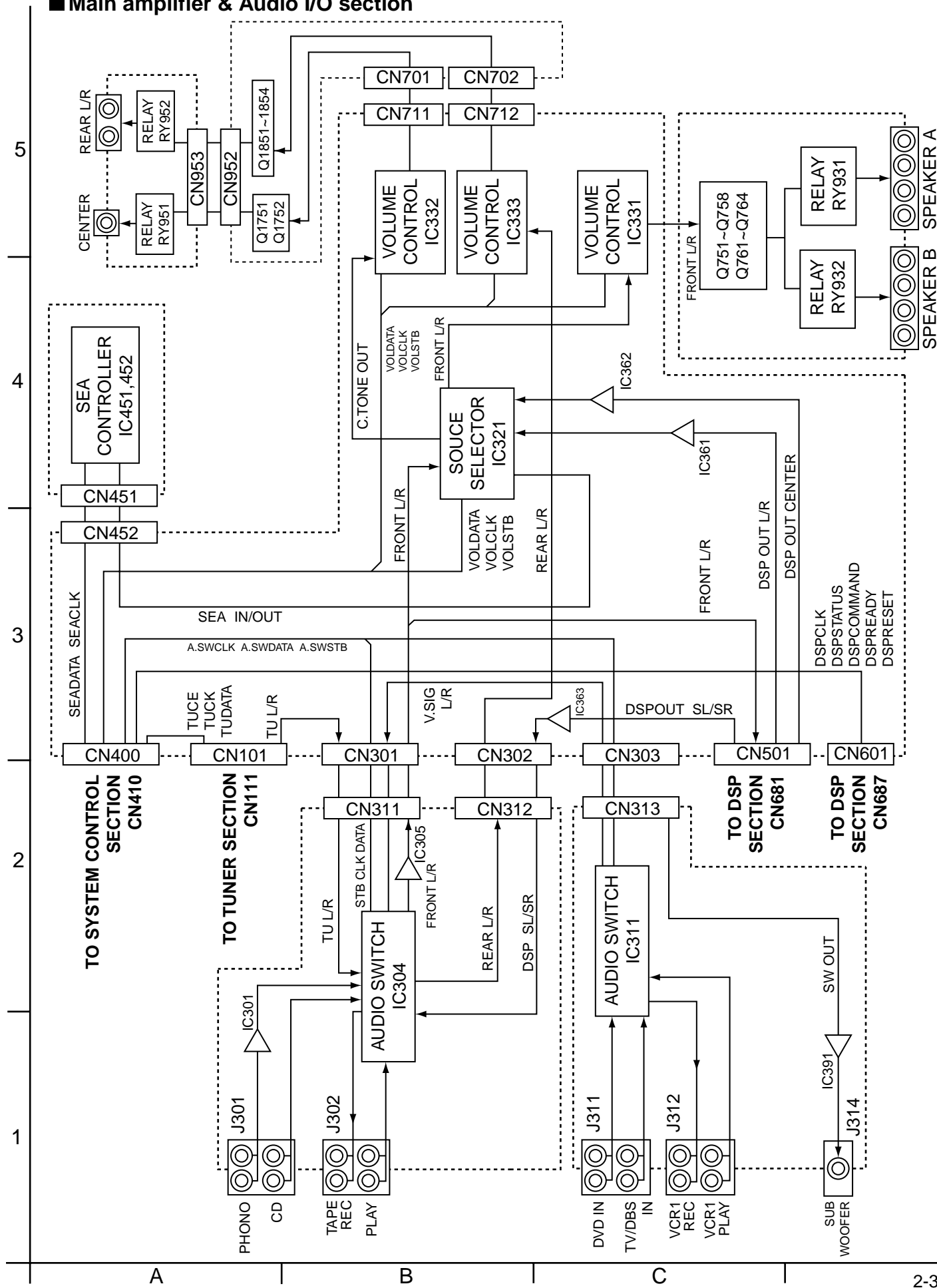


Block diagrams

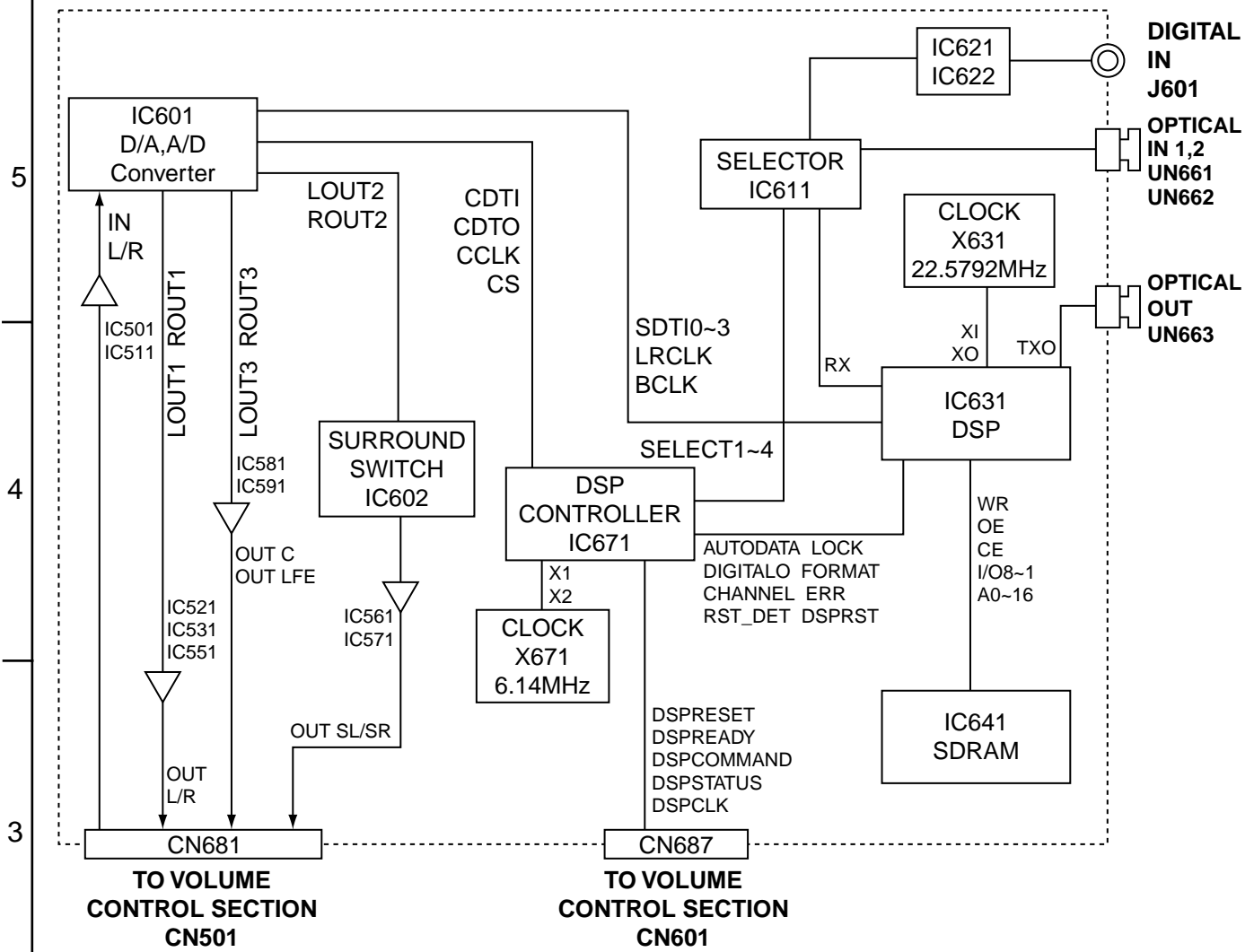
■ System control & Video I/O section



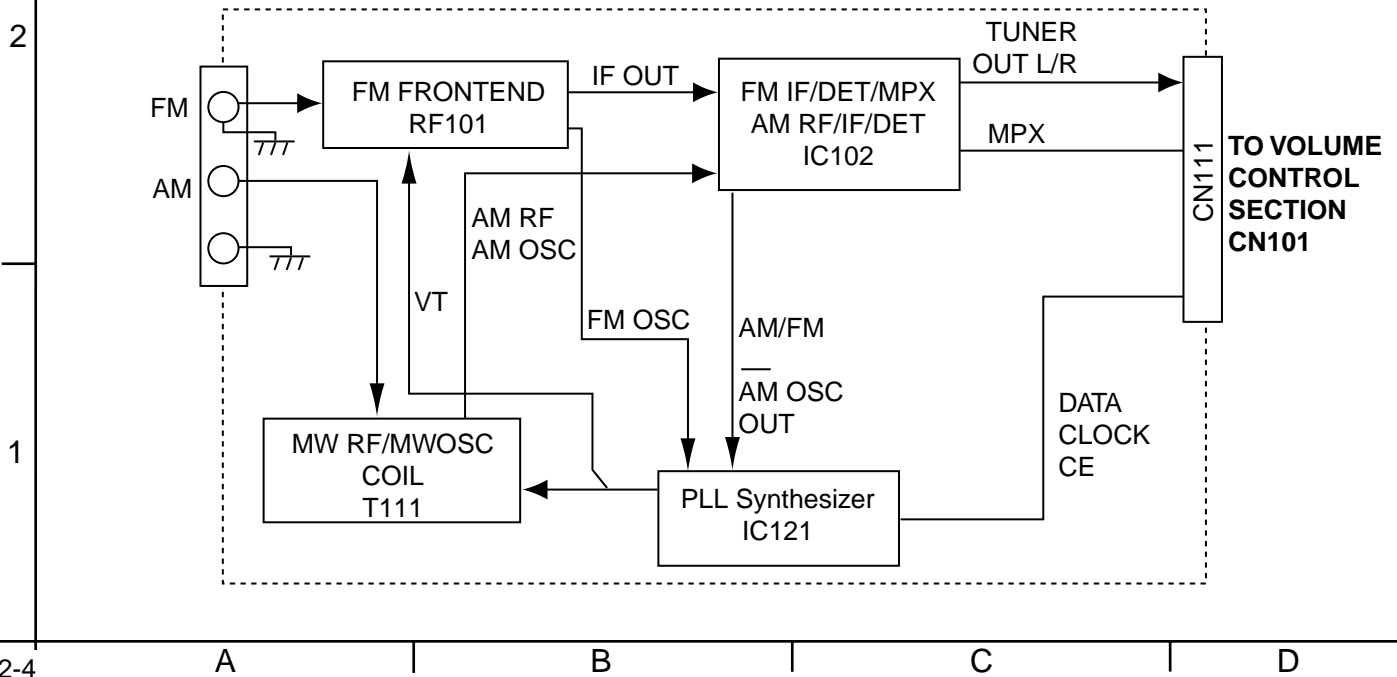
■ Main amplifier & Audio I/O section



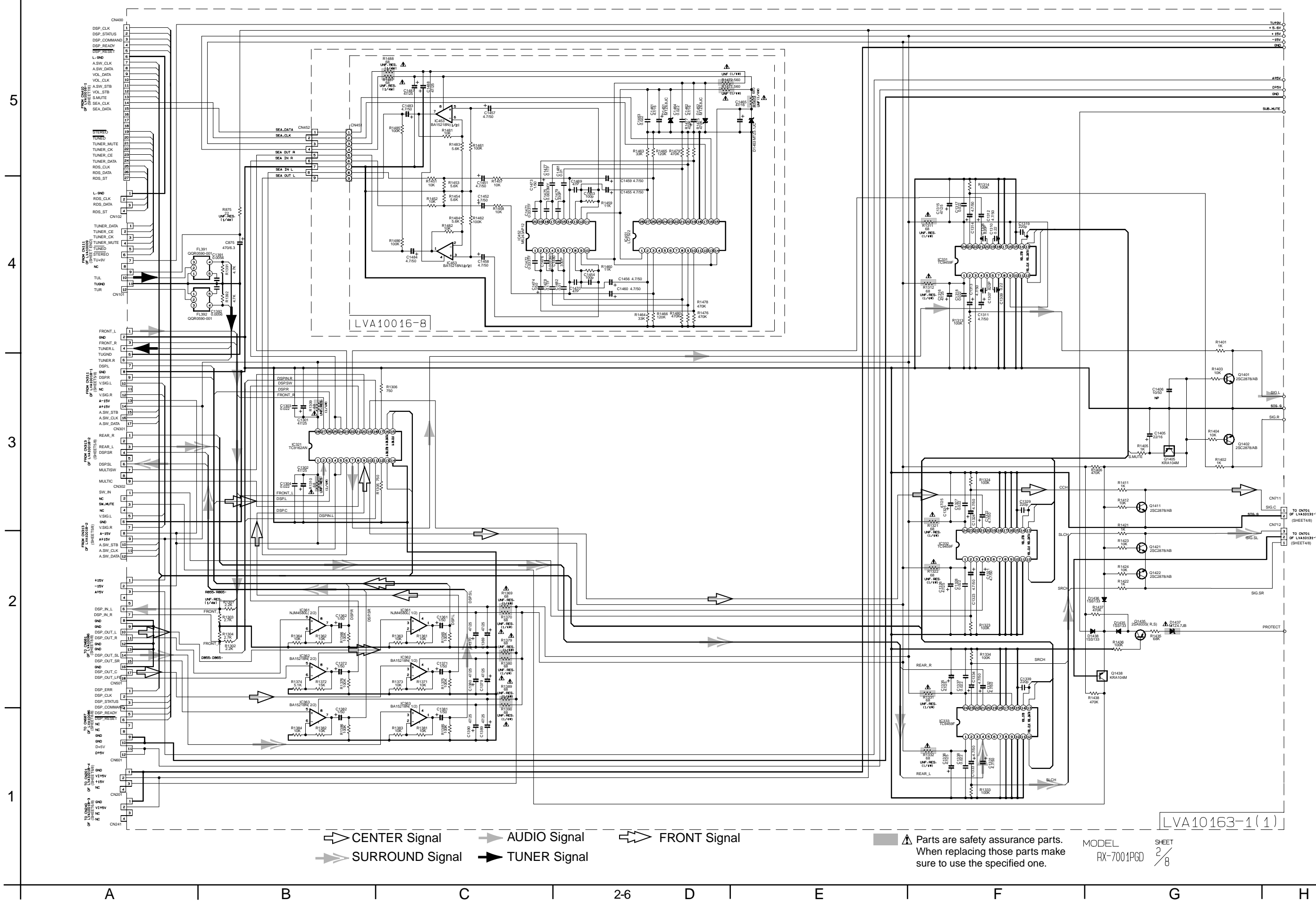
■ DSP Section



■ Tuner section



■ Main amplifier section 1/2



CENTER Signal
 AUDIO Signal
 FRONT Signal
 SURROUND Signal
 TUNER Signal

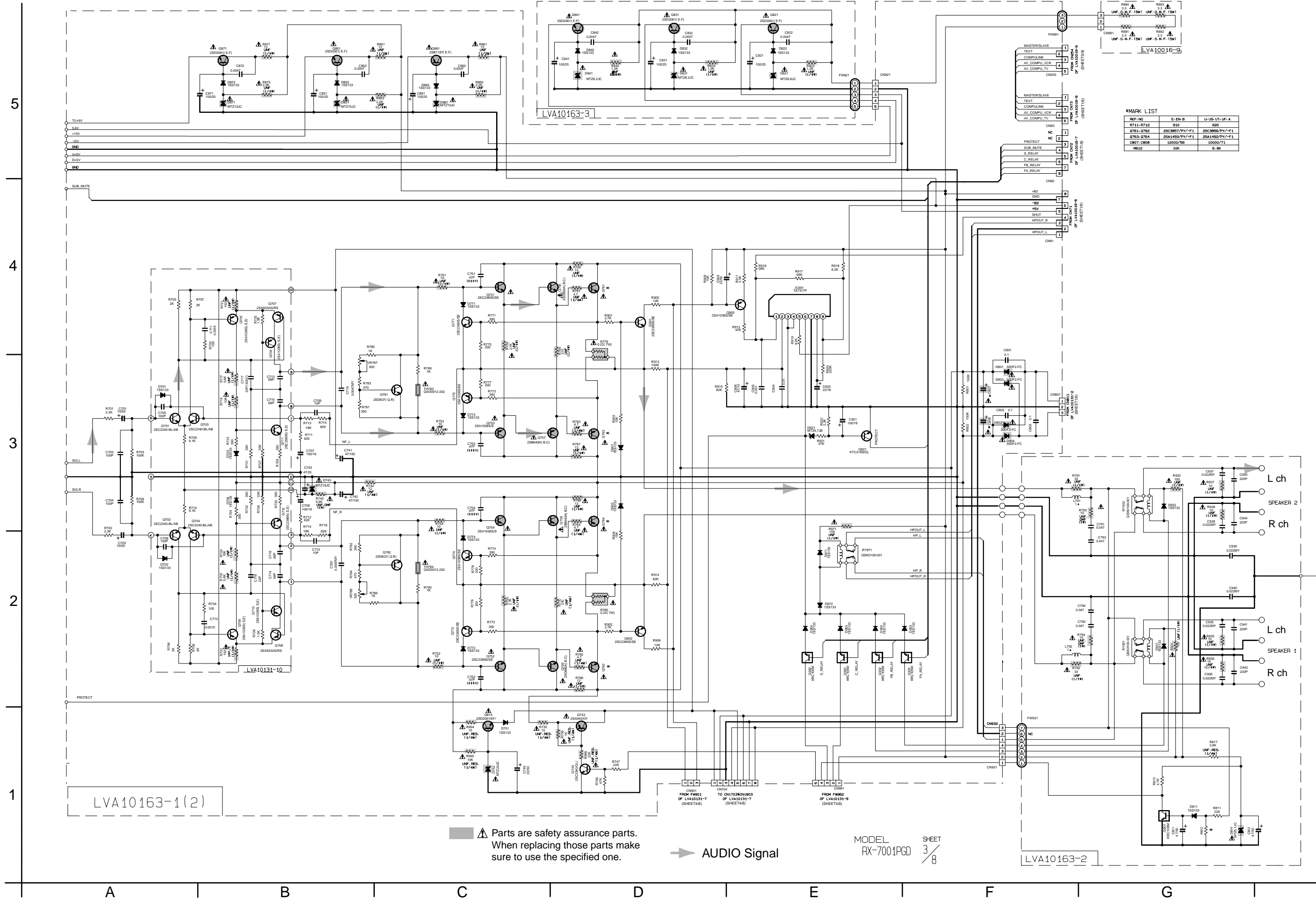
Parts are safety assurance parts. When replacing those parts make sure to use the specified one.

MODEL
 RX-7001PGD

SHEET
 2/8

LVA10163-1(1)

Main amplifier section 2/2



▲ Parts are safety assurance parts. When replacing those parts make sure to use the specified one.

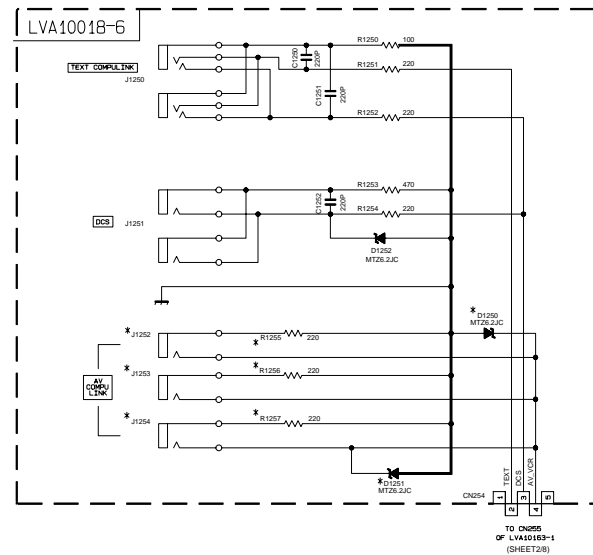
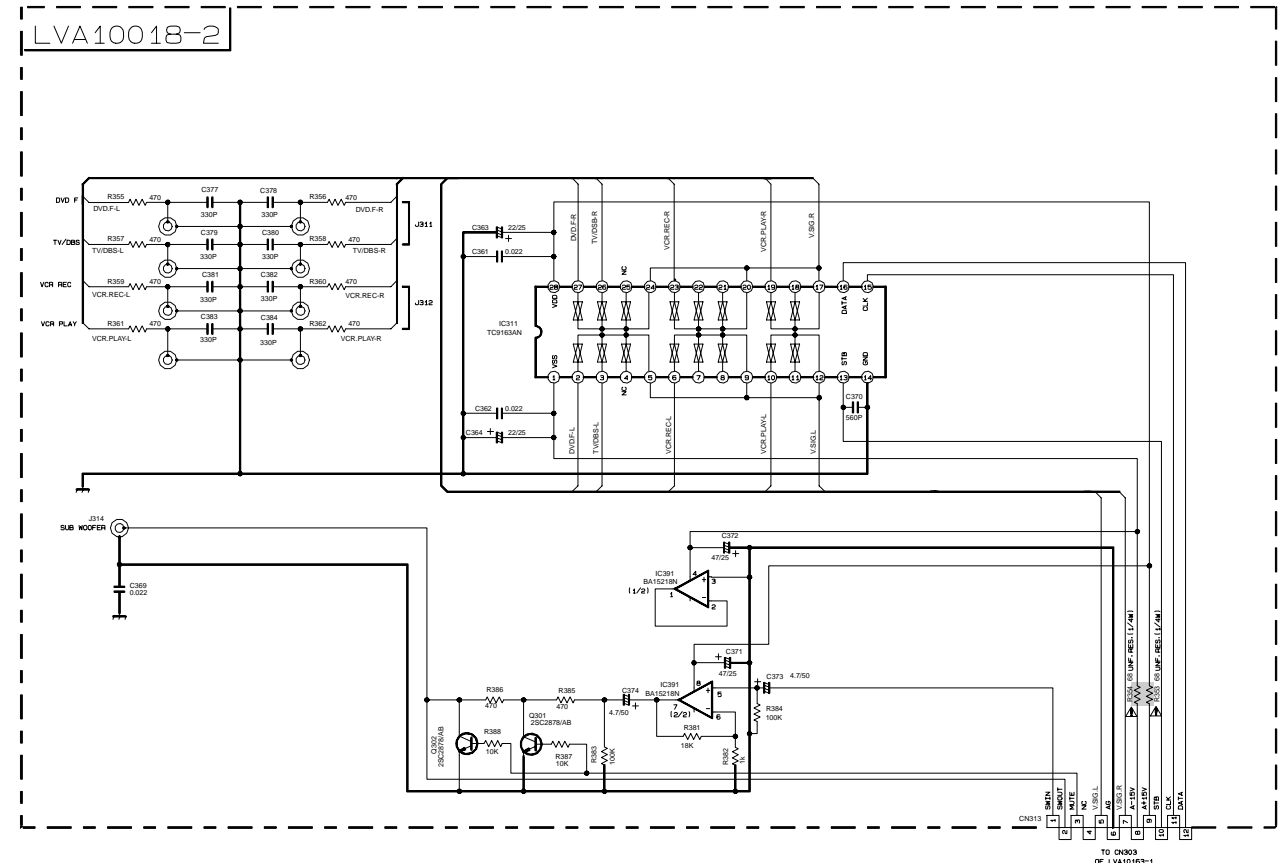
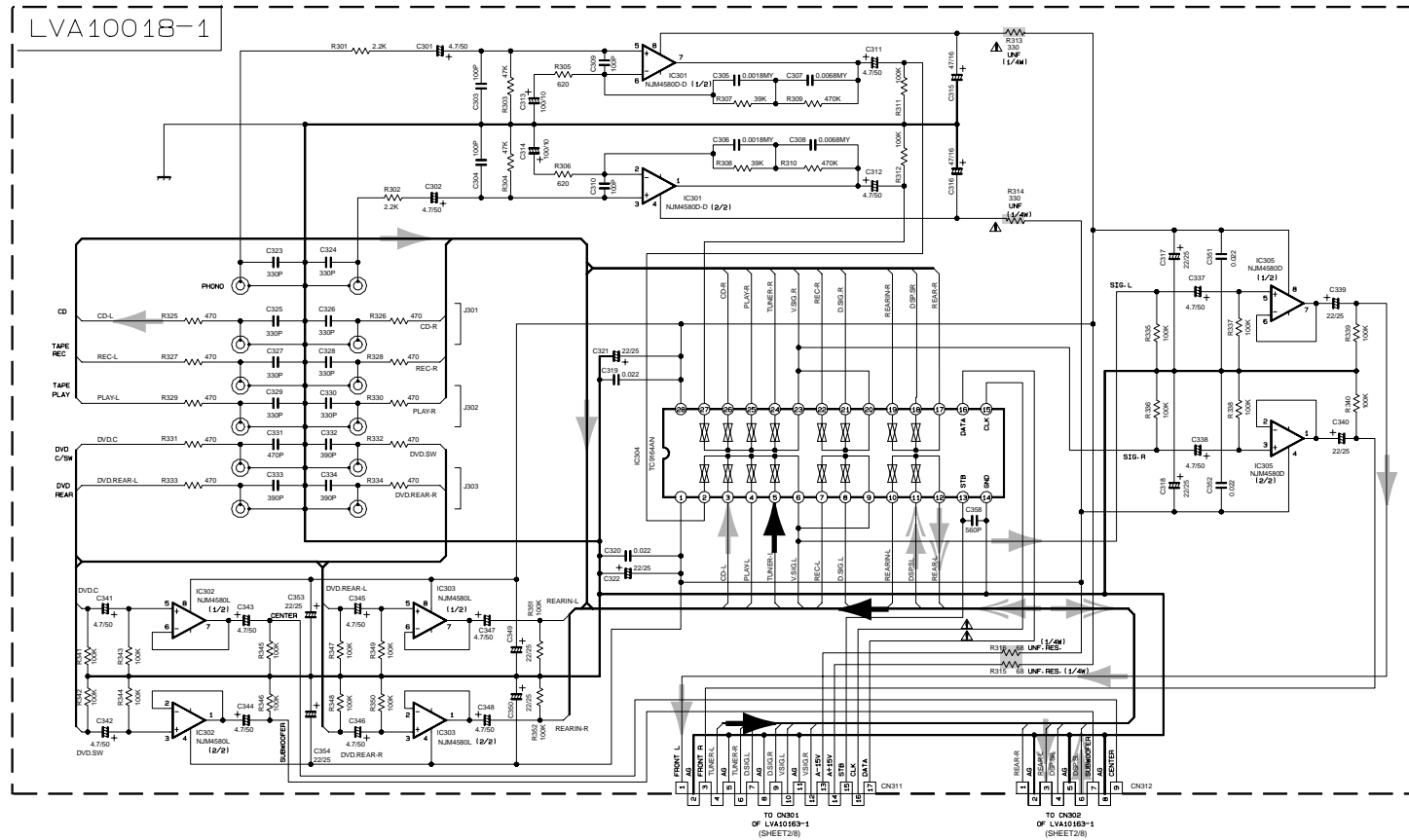
➔ AUDIO Signal

MODEL RX-7001PGD

SHEET 3/8

Audio signal section

5
4
3
2
1



#MARK LIST

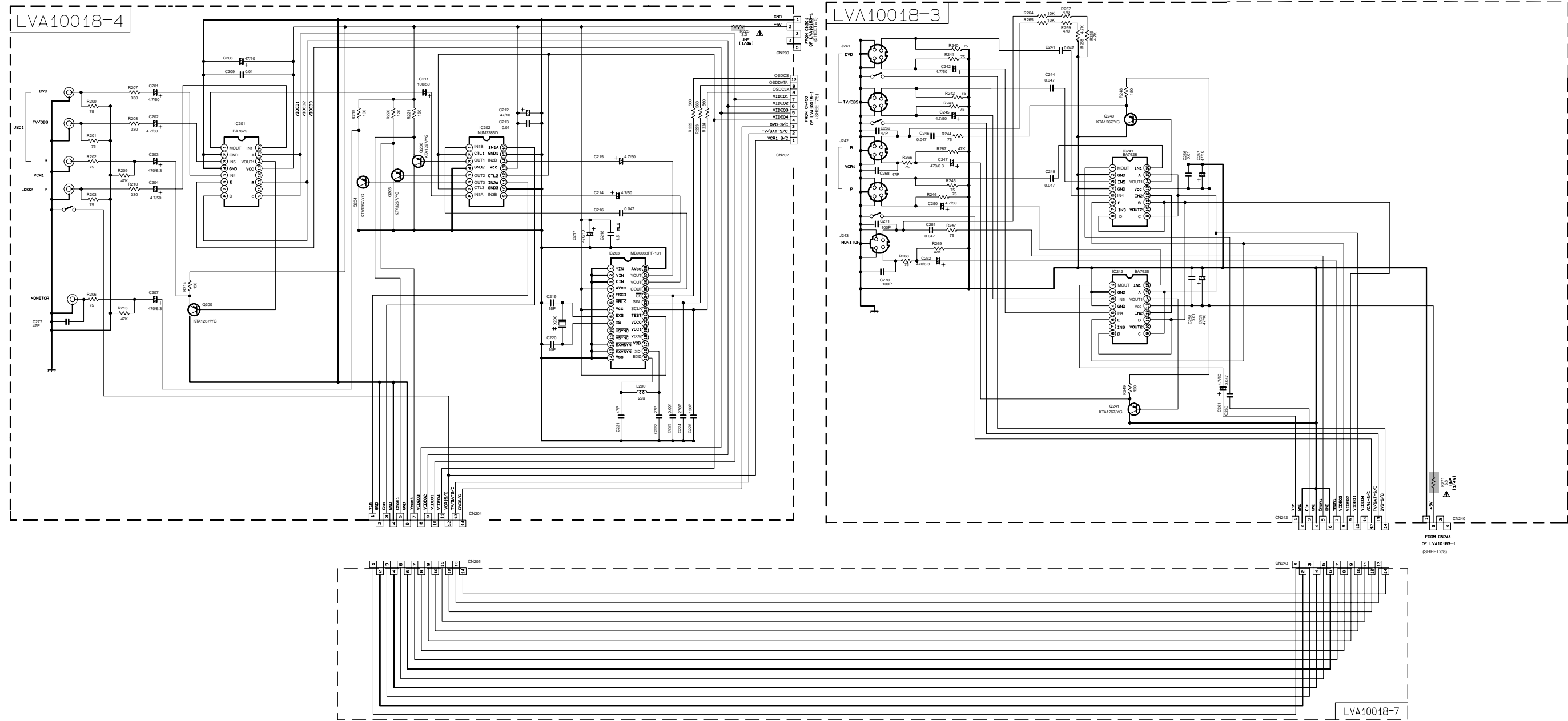
REF. NO	E-EN-B-A	U-US-UT-LF
J1252-J1253-J1254	NONE	USED
R1255-R1256-R1257	NONE	USED
C1250	NONE	USED
D1251	NONE	USED

- CD / AUDIO Signal
- TUNER Signal
- SURROUND Signal

⚠ Parts are safety assurance parts. When replacing those parts make sure to use the specified one.

MODEL RX-7001PGD SHEET 5/8

Video signal section



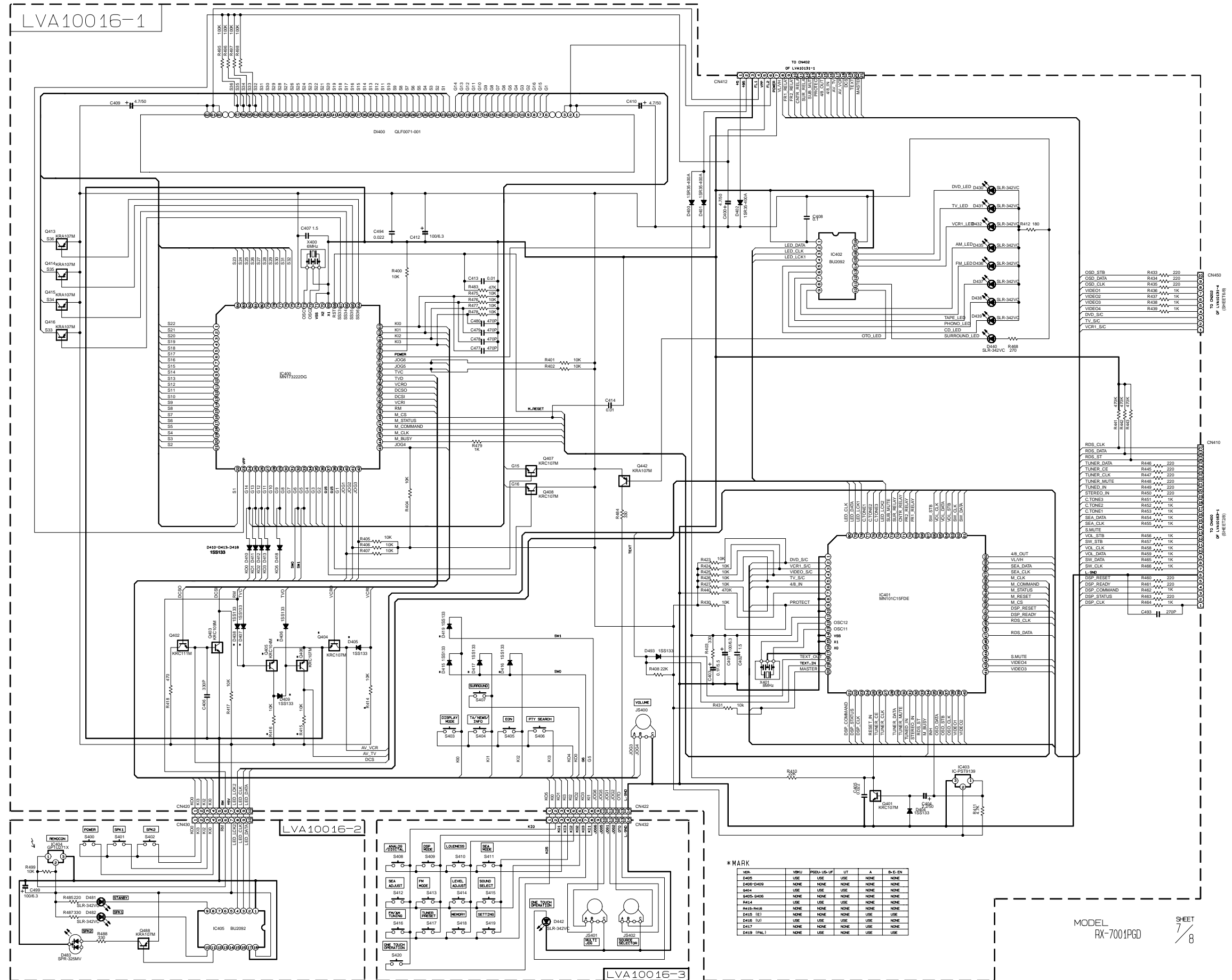
* MARK LIST

	VBKU, UT	PGDU, B, E, EN, US, UF, A
X200	GAX0260-001Z	GAX0261-001Z

Parts are safety assurance parts.
When replacing those parts make
sure to use the specified one.

FL Display & System control section

5
4
3
2
1



* MARK

VAR	VBHQ	PRODA	LEG-UP	UT	A	B-C-EN
D405	USE	USE	USE	NONE	NONE	
D409-D409	NONE	NONE	NONE	NONE	NONE	
G44	USE	USE	USE	NONE	NONE	
G455-G455	NONE	NONE	NONE	NONE	NONE	
R44	USE	USE	USE	NONE	NONE	
R415-R448	NONE	NONE	NONE	NONE	NONE	
D415 IE1	NONE	NONE	NONE	USE	USE	
D416 IY1	USE	USE	USE	USE	USE	
D417	NONE	NONE	NONE	USE	USE	
D419 I-PAL1	NONE	USE	NONE	USE	USE	

MODEL RX-7001PGD SHEET 7/8

Printed circuit boards

■ Main board

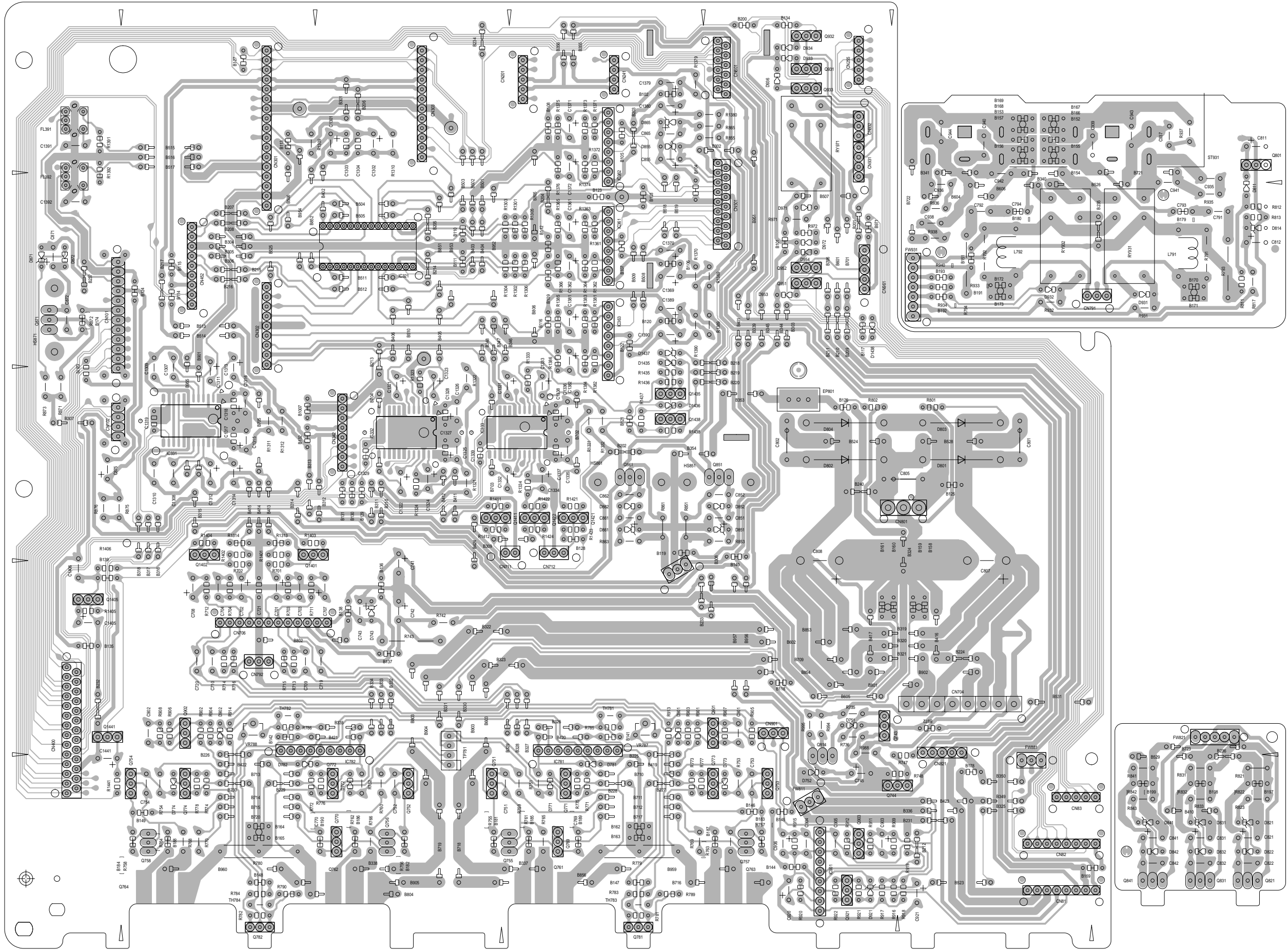
5

4

3

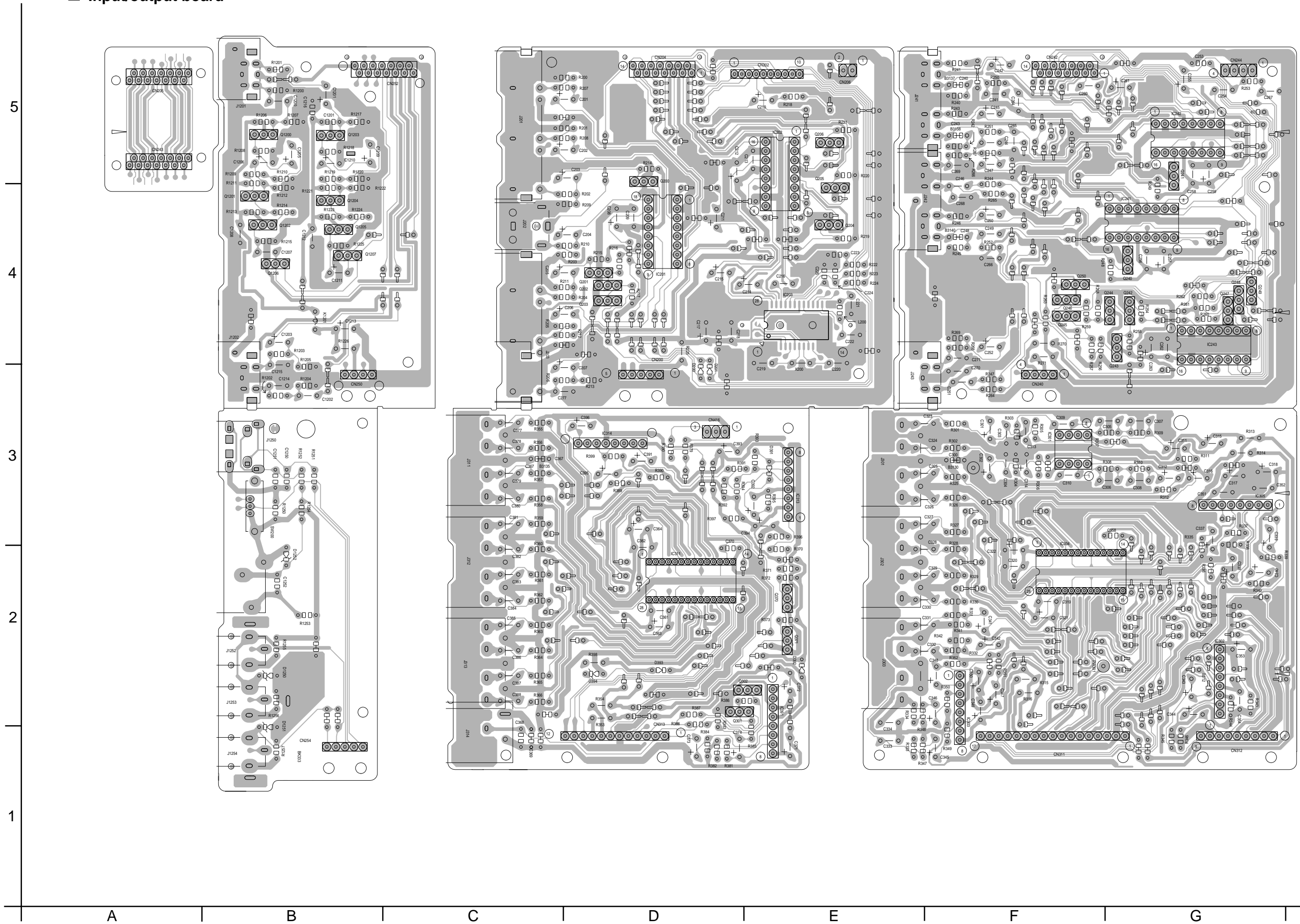
2

1

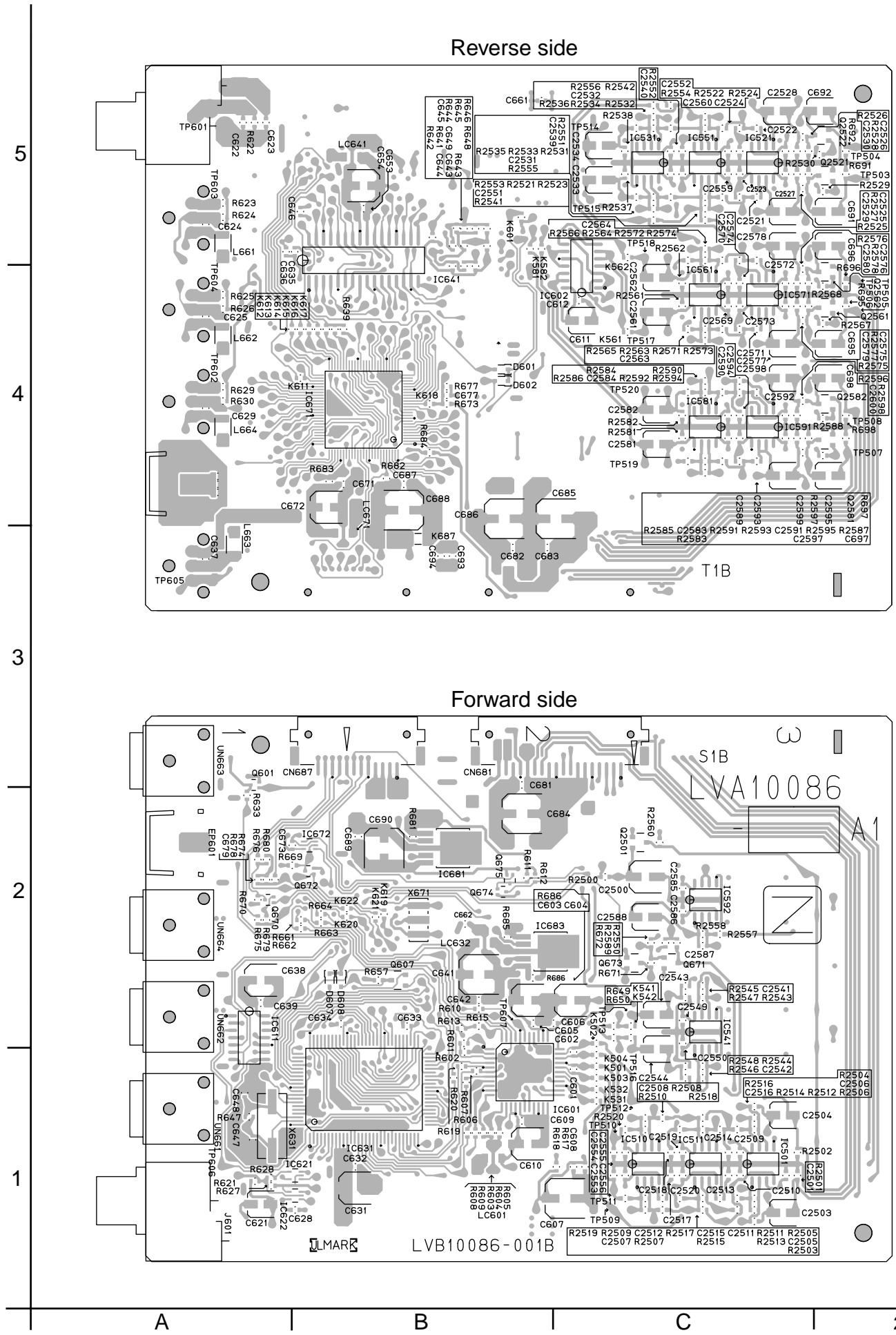


A B C 2-14 D E F G H

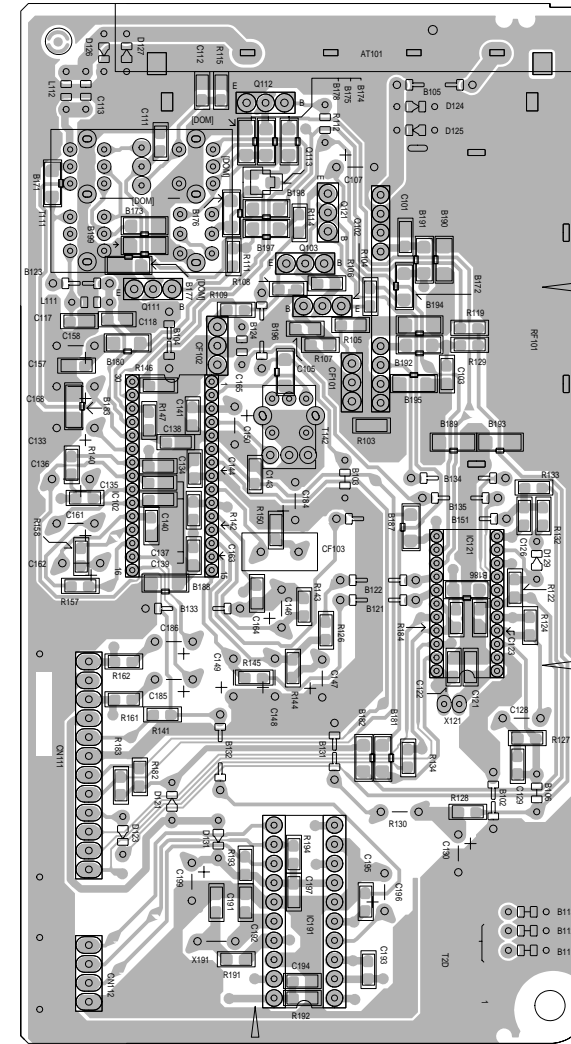
Input/output board



■ DSP board



■ Tuner board



■ SP terminal board

